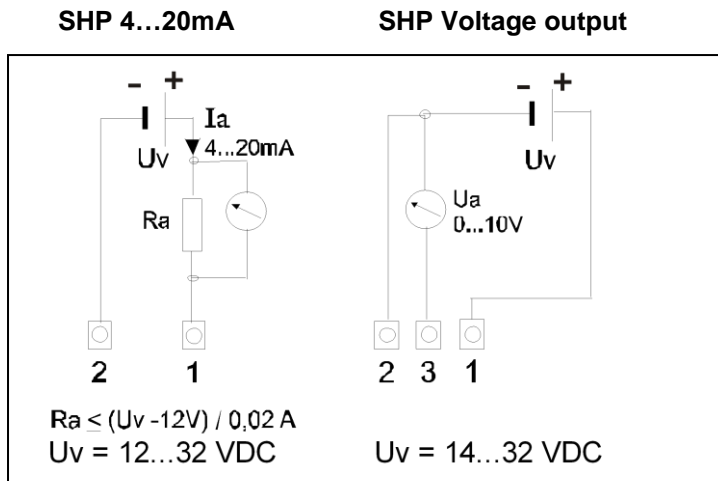


Engineering Information EI-000008-A

Circuit variations

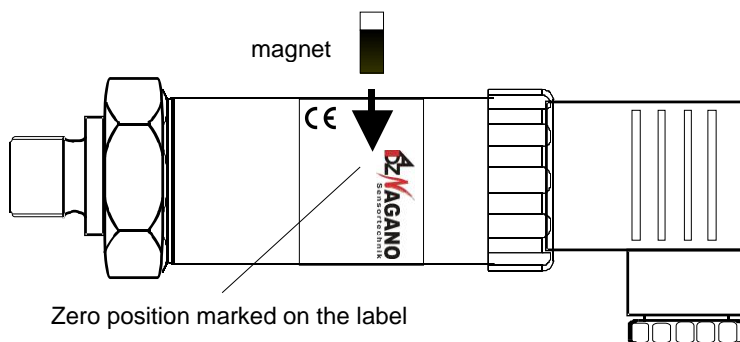


The zero can be set easily with a magnet within ± 10 % of the nominal range

To correct the zero point: In a period of ½ up to 2 ½ minutes after the power has been switched on hold a permanent magnet (e.g. a pin board magnet) at the position marked on the pressure transmitter (a letter in a circle).

The pressure applied to the transmitter should be lower than 12% of FS. This pressure value will be saved as new zero point.

A magnetic field applied outside of this time period has no effect on the setting. The power must be switched off and on before the zero point can be set again.



Safety information

During installation, putting into service and operation of these pressure sensors, it is necessary to observe the relevant safety regulations that are in force in the country of the user (as for example, DIN VDE 0100).

Errors excepted; subject to alterations in the sense of technical improvement.